

# SmartScope Duo 4K



SmartScope Duo 4K looks like a SmartView Duo but adds independent waveform monitoring so you can select between waveform, vectorscope, RGB parade, YUV parade, histogram and audio phase level displays. Each monitor is independent so can display any combination of scope or picture view!

## Connections

### SDI Video Input

Automatically switches between SD, HD and 6G-SDI. Reclocked loop through output.

### SDI Video Output

1 x 10 bit loop through SD, HD and 6G-SDI switchable.

### SDI Audio Input

16 channels embedded in SD, HD and UHD.

### SDI Audio Output

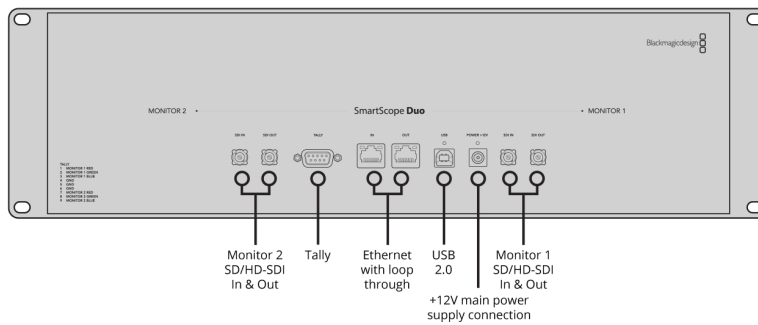
16 channels embedded in SD, HD and UHD.

### Multi Rate Support

Standard definition SDI, high definition SDI and 6G-SDI.

### Tally

9-pin D connector



## Standards

### SD Format Support

525i29.97 NTSC, 625i25 PAL

### HD Format Support

720p50, 59.94, 60  
1080p23.98, 24, 25, 29.97, 30, 50, 59.94, 60  
1080PsF23.98, 24, 25, 29.97, 30  
1080i50, 59.94, 60

### Ultra HD Format Support

2160p23.98, 24, 25, 29.97, 30

### SDI Compliance

SMPTE 259M, SMPTE 292M, SMPTE 296M, SMPTE 372M, SMPTE 424M Level B and SMPTE 425M.

### Color Precision

8-bit

### Color Space

YUV and RGB

### Computer Interface

USB 2.0 for software updates and Ethernet for configuration

---

**2K Format Support**

2K DCI 23.98p, 2K DCI 24p, 2K DCI 25p  
2K DCI 23.98PsF, 2K DCI 24PsF,  
2K DCI 25PsF

**Audio Sampling**

Television sample rate of 48KHz

**Colorspace Conversion**

Hardware based real time.

**Video Sampling**

4:2:2 and 4:4:4

---

**Scopes**

Luminance Waveform, Vectorscope, RGB Parade, YUV Parade, Histogram, Audio phase and level.

---

**Software****Software Included**

Configuration utility for MAC and Windows.

**Internal Software Upgrade**

Via included firmware updater software.

**Physical Installation**

3RU

---

**Operating Systems**

Mac OS X 10.10 Yosemite,  
Mac OS X 10.11 El Capitan  
or later.



Windows 8.1 or  
Windows 10.

---

**Power Requirements****Power Supply**

12V universal power supply included with international socket adapters for all countries.

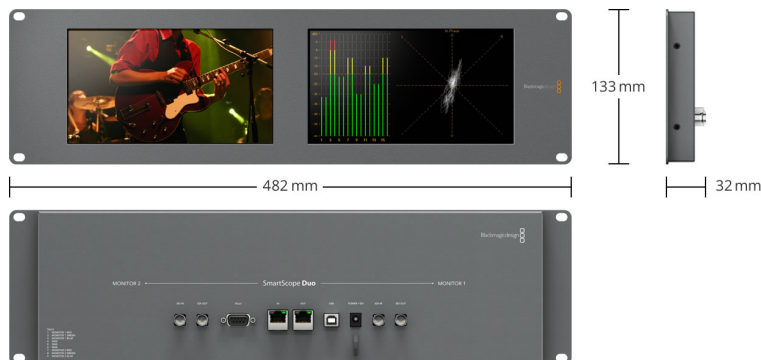
**Power Consumption**

< 20 Watts

**Operational Voltage Range**

12V - 15V

---

**Physical Specifications**

  
1.53 kg

---

## Environmental Specifications

**Operating Temperature**

0° to 40° C (32° to 104° F)

**Storage Temperature**

-20° to 45° C (-4° to 113° F)

**Relative Humidity**

0% to 90% non-condensing

---

## What's Included

SmartScope Duo 4K

Power Supply

SD card with software and manual

---

## Warranty

12 Months Limited Manufacturer's Warranty.

---

All items on this website are copyright Blackmagic Design Pty. Ltd. 2017, all rights reserved.  
All trademarks are property of their respective owners. MSRP excludes sales taxes/duties and shipping costs.

Blackmagic Design Authorized Reseller